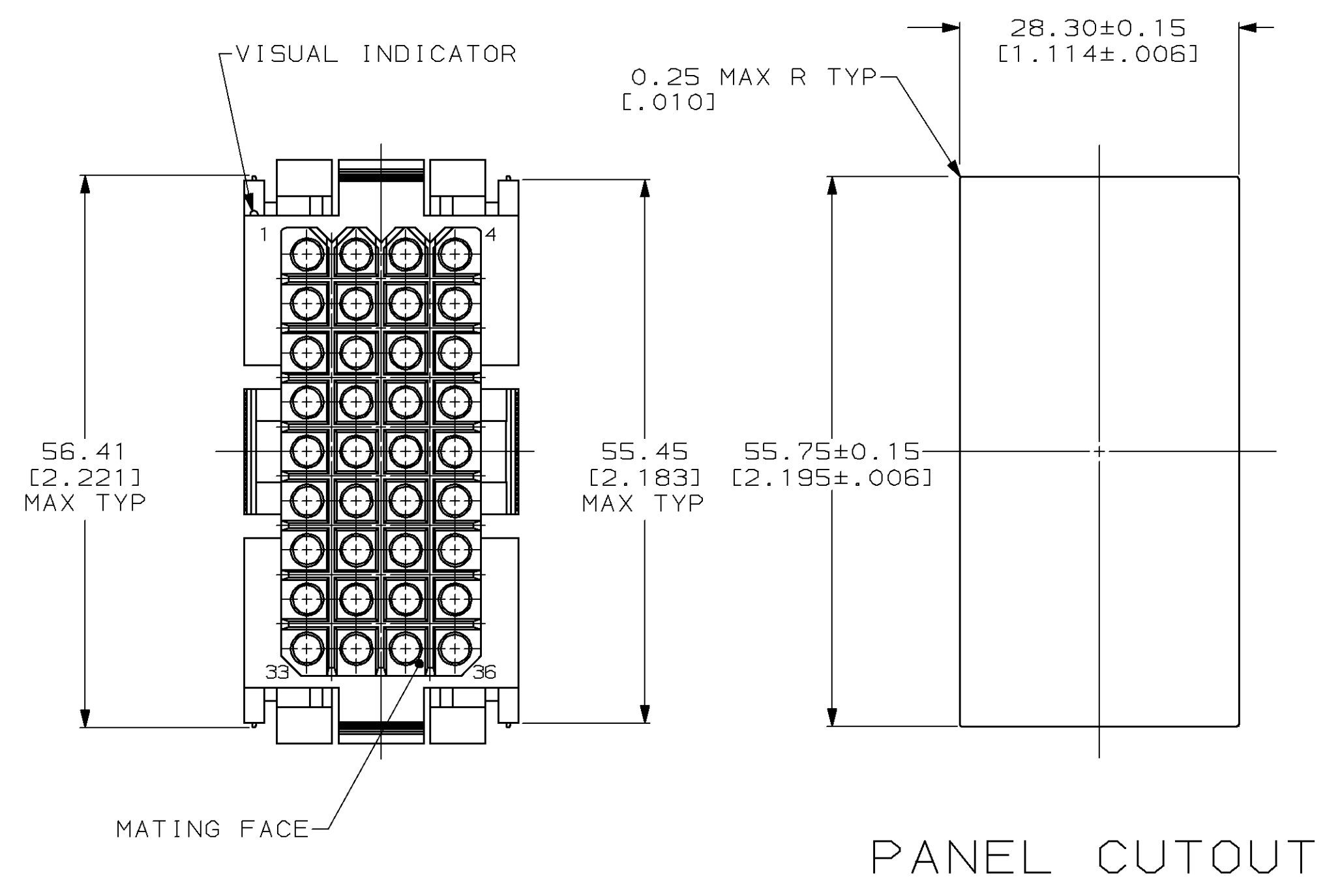
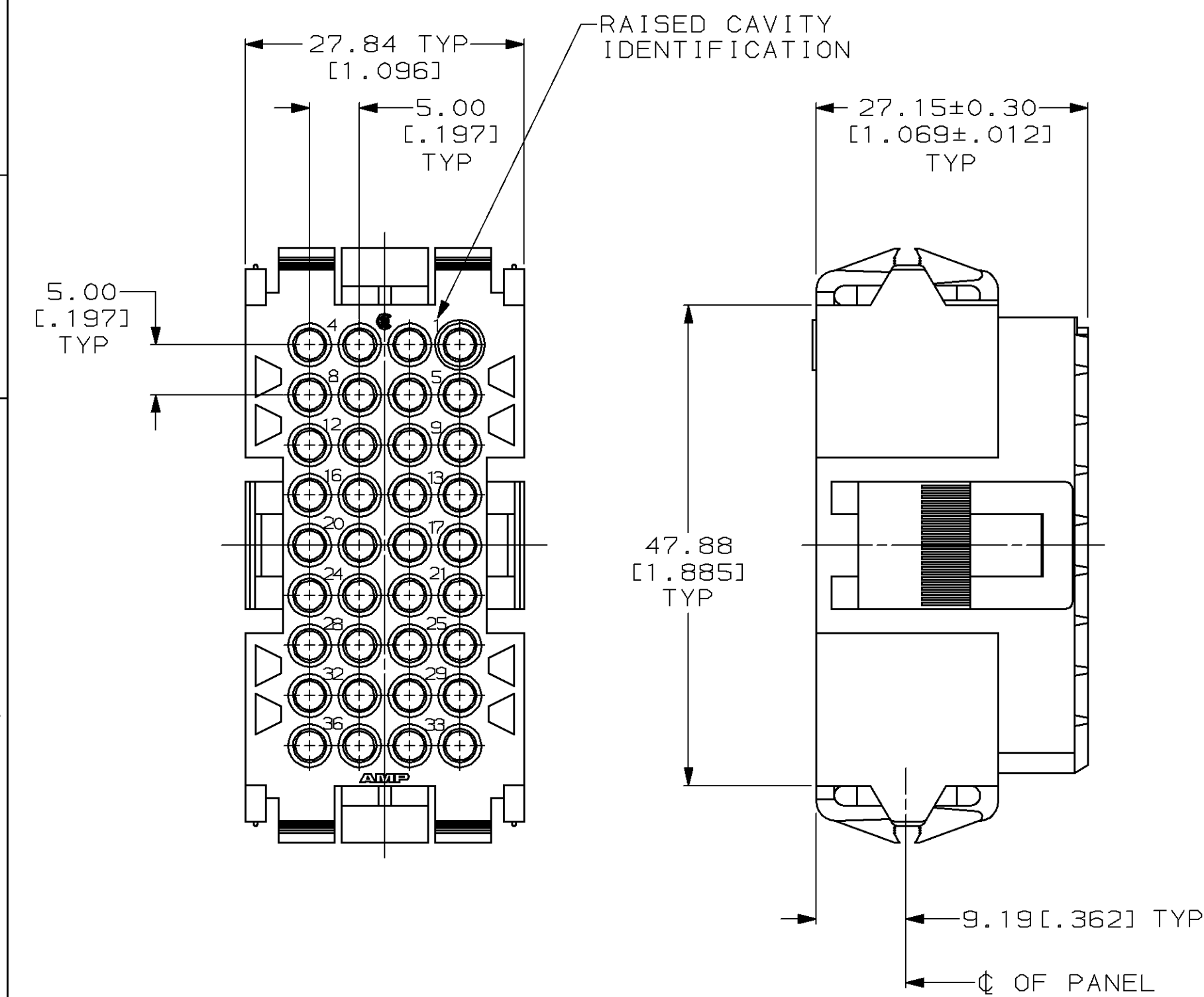


LOC	DIST	P	F	ZONE	LTR	DESCRIPTION	DATE	APPD
FT	13				S	REDRAWN & REVISED PER ECN BD6668	08/26/92	-
					T	REV PER EC 0020-250-94	03/24/94	AT
					U	REV PER EC 0320-134-97	27 AUG 97	MM
					V	REV PER EC 061C-25-98	11 MAR 98	MM



1. PANEL RETENTION MECHANISM ACCOMMODATES PANEL THICKNESSES FROM 0.76 [.030] TO 2.29 [.090].

DO NOT SCALE PRINT. UNLESS SPECIFIED DIMENSIONS IN mm [INCHES] TOLERANCES ON:		DR 08/26/92 W. LENKER		207019-1 PART NO	
2 PLC DEC ± 0.25 [.010]		CHK 8-31-92 R. STONE		AMP Incorporated Harrisburg, PA 17105-3608	
3 PLC DEC ± -		APPD 9-2-92 A. TRAVIS			
ANGLES ± -		APPD 9-3-92 C. ROHDE		NAME HOUSING, PLUG 36 POSITION, METRIMATE	
MATERIAL NYLON, COLOR: RED		PRODUCT SPEC 108-10033			
FINISH -		APPLICATION SPEC 114-10040		SIZE C	CAGE CODE 00779
THIS DRAWING IS A CONTROLLED DOCUMENT FOR AMP INCORPORATED. IT IS SUBJECT TO CHANGE AND THE CONTROLLING ENGINEERING ORGANIZATION SHOULD BE CONTACTED FOR THE LATEST REVISION.		WEIGHT -		DRAWING NO G=207019	SHEET 1 OF 1